

# Dreadnought Single Pivot Bogie Spare Parts Listing

Distributors

For Your Trailer Axle Suspension Needs Call York :

Head Office

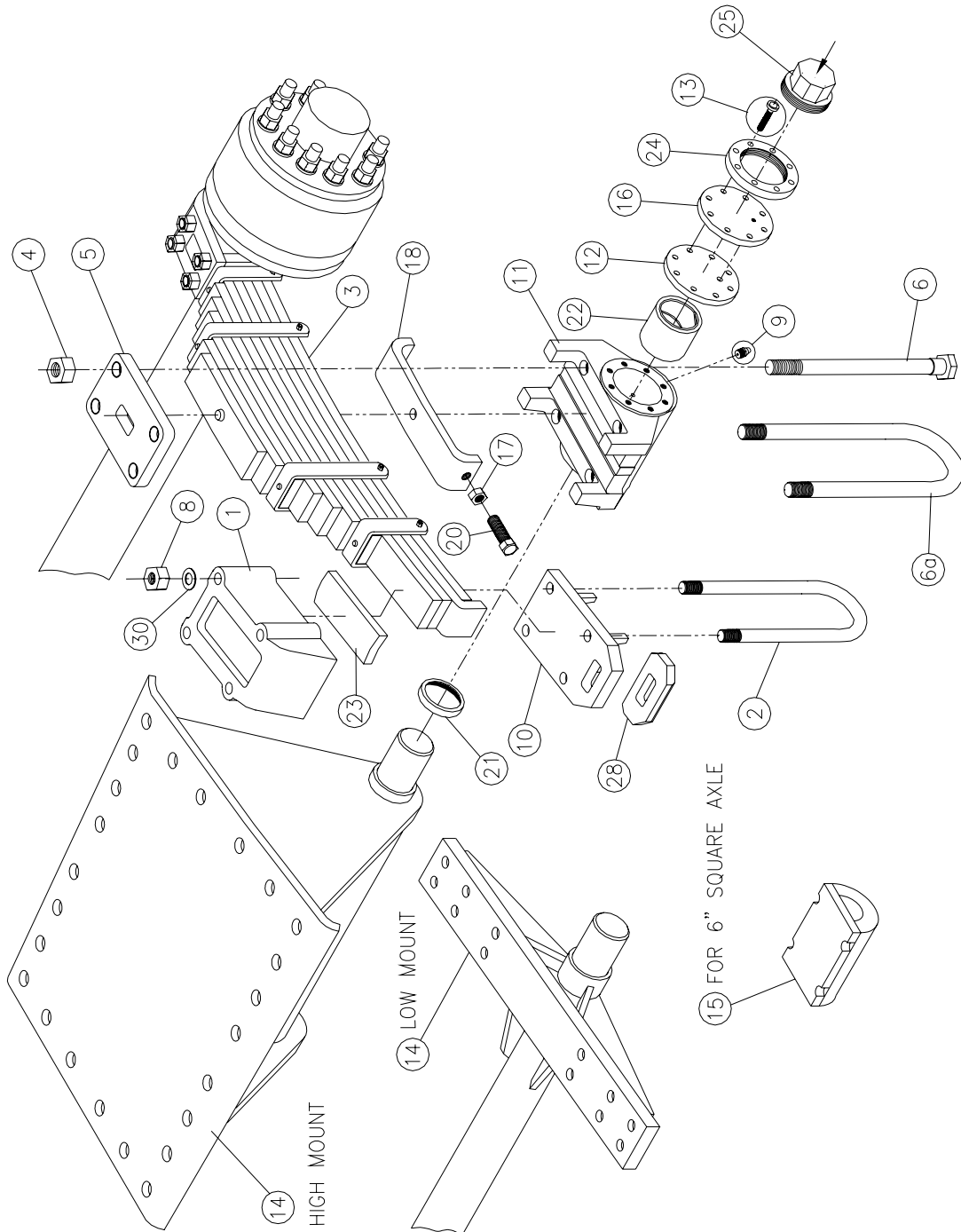
Singapore

York Transport Equipment (Asia) Pte. Ltd.  
No. 5 Tuas Avenue 6, Singapore 639295  
Email : enquiry@yorktpt.com.sg  
Tel : (65) 6861 0577 Fax : (65) 6861 4045

**Content****Page**

DN Bogie Parts Listing

2 - 3



Item No.	Description	Type										
		DN7 MK2	DN7S MK2	DNH7 MK2	DNH7S MK2	DN8	DN8S	DNH8	DNH8S			
1	Spring Hood	505069	790247	505069	790247	505067/2	505067/2	505067/2	505067/2	505067/2	505067/2	505067/2
2 *	Axle U-bolt (M24 x 2.0)	503281/335	503283/450	503281/335	503283/430	503283/365	503283/365	503283/365	503283/365	503283/365	503283/365	503283/450
3	Leaf Spring	502288	502288	502288	502288	502336	502336	502336	502336	502336	502336	502336
4	Full Nut (M30 x 3.5)	754044	754044	754044	754044	754044	754044	754044	754044	754044	754044	754044
5	Clamp Plate	503308/01	503308/01	503308/01	503308/01	503396/01	503396/01	503396/01	503396/01	503396/01	503396/01	503396/01
6	Pivot Block Bolt	-	-	-	-	504749/530	504749/530	504749/530	504749/530	504749/530	504749/530	504749/530
6a	Pivot Block U-Bolt	504751	504751	504751	504751	-	-	-	-	-	-	-
8 *	Full Nut (M24 x 2.0)	503288	503288	503288	503288	503288	503288	503288	503288	503288	503288	503288
9	Straight Grease Nipple (M10 x 1.5)	738012/04	738012/04	738012/04	738012/04	738012/04	738012/04	738012/04	738012/04	738012/04	738012/04	738012/04
10	Spring Seat	503340	790250	503340	790249	503399	503399	503399	503399	503399	503399	790249
11	Pivot Block Machining	504750	504750	504750	504750	504755	504755	504755	504755	504755	504755	504755
12	Thrust Bearing	501630	501630	501630	501630	502230	502230	502230	502230	502230	502230	502230
13	Cap Bolt (M12)	CB12/175/055	CB12/175/055	CB12/175/055	CB12/175/055	CB12/175/055	CB12/175/055	CB12/175/055	CB12/175/055	CB12/175/055	CB12/175/055	CB12/175/055
14	Cross Shaft Assembly	503292/S	503292/S	504803/S	504803/S	504587/S	504587/S	504587/S	504587/S	504587/S	504587/S	504762/S
15	Saddle (Square Axle)	-	790248	-	790248	-	-	-	-	-	-	790248
16	Thrust Plate	501590	501590	501590	501590	502224	502224	502224	502224	502224	502224	502224
17	Full Nut - Adjuster (M20 x 2.5)	FN20/250	FN20/250	FN20/250	FN20/250	FN20/250	FN20/250	FN20/250	FN20/250	FN20/250	FN20/250	FN20/250
18	Bogie Adjuster	504260/310	504260/310	504260/310	504260/310	504754/01	504754/01	504754/01	504754/01	504754/01	504754/01	504754/01
20	Hex. Bolt - Adjuster, Full Thread	HB20/250/075	HB20/250/075	HB20/250/075	HB20/250/075	HB20/250/080	HB20/250/080	HB20/250/080	HB20/250/080	HB20/250/080	HB20/250/080	HB20/250/080
21	Dust Seal	501605	501605	501605	501605	502228	502228	502228	502228	502228	502228	502228
22	Main Bush	501631	501631	501631	501631	502229	502229	502229	502229	502229	502229	502229
23	Hood Rubber	504553	504510	504553	504510	504510	504510	504510	504510	504510	504510	504510
24	Hub Mounting Ring	790258/01	790258/01	790258/01	790258/01	790258/02	790258/02	790258/02	790258/02	790258/02	790258/02	790258/02
25	Hub Cap	790210	790210	790210	790210	790214	790214	790214	790214	790214	790214	790214
28	Shear Plate	504729	504729	504729	504729	504512	504512	504512	504512	504512	504512	504512
30 *	U-bolt Washer (M24)	503289	503289	503289	503289	503289	503289	503289	503289	503289	503289	503289
*	U-Bolt Assembly (Items 2 + 8 + 30)	503280/335	503282/450	503280/335	503282/430	503282/365	503282/365	503282/365	503282/365	503282/365	503282/365	503282/450

Note: Items marked with \* are U-Bolt assembly components.